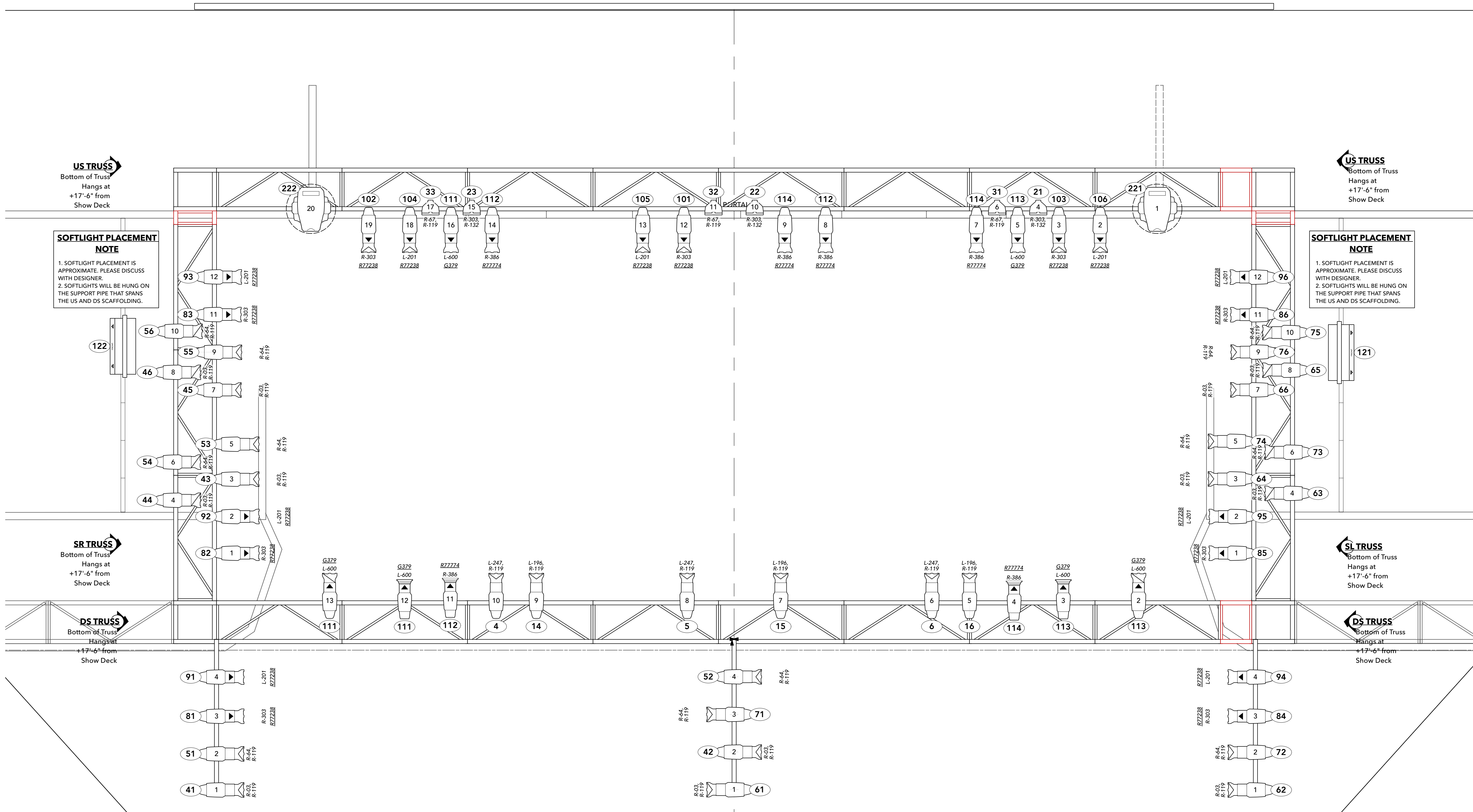


4



US TRUSS
Bottom of Truss
Hangs at
+17'-6" from
Show Deck

US TRUSS
Bottom of Truss
Hangs at
+17'-6" from
Show Deck

SOFTLIGHT PLACEMENT NOTE
1. SOFTLIGHT PLACEMENT IS APPROXIMATE. PLEASE DISCUSS WITH DESIGNER.
2. SOFTLIGHTS WILL BE HUNG ON THE SUPPORT PIPE THAT SPANS THE US AND DS SCAFFOLDING.

SOFTLIGHT PLACEMENT NOTE
1. SOFTLIGHT PLACEMENT IS APPROXIMATE. PLEASE DISCUSS WITH DESIGNER.
2. SOFTLIGHTS WILL BE HUNG ON THE SUPPORT PIPE THAT SPANS THE US AND DS SCAFFOLDING.

SR TRUSS
Bottom of Truss
Hangs at
+17'-6" from
Show Deck

SL TRUSS
Bottom of Truss
Hangs at
+17'-6" from
Show Deck

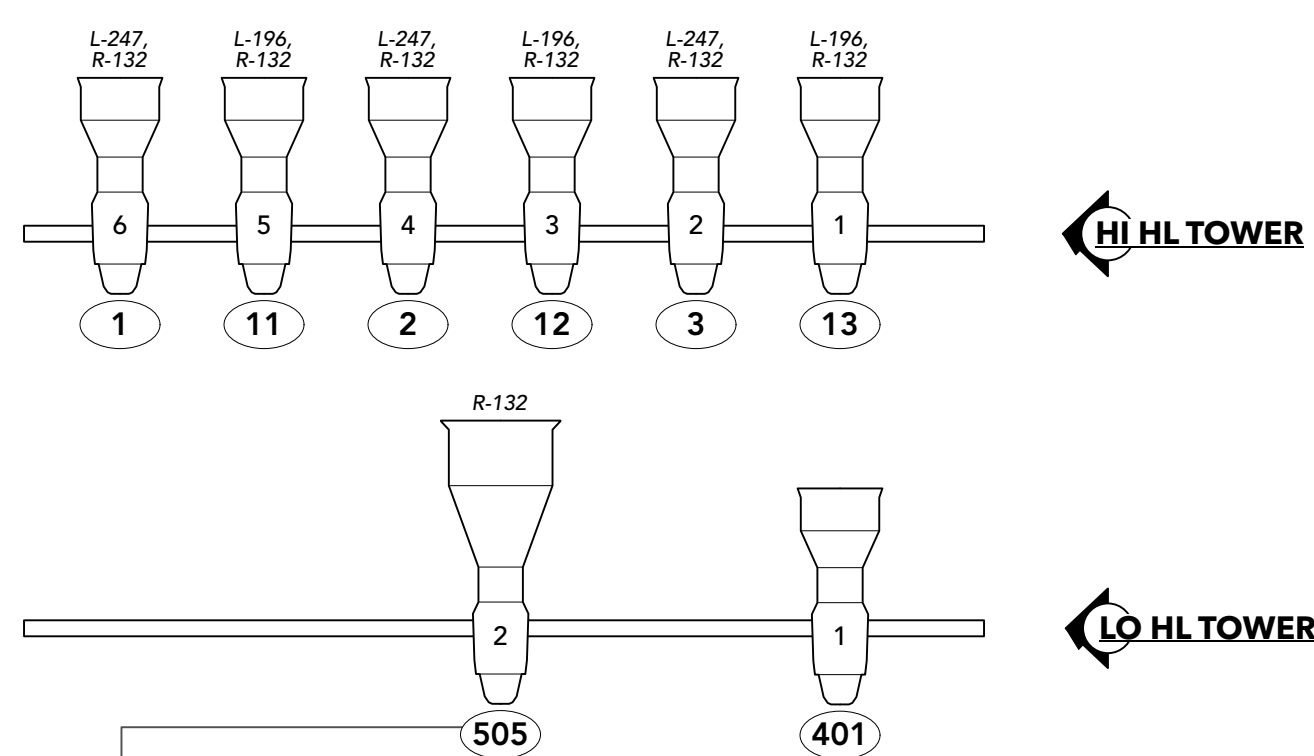
DS TRUSS
Bottom of Truss
Hangs at
+17'-6" from
Show Deck

DS TRUSS
Bottom of Truss
Hangs at
+17'-6" from
Show Deck

DR ADD

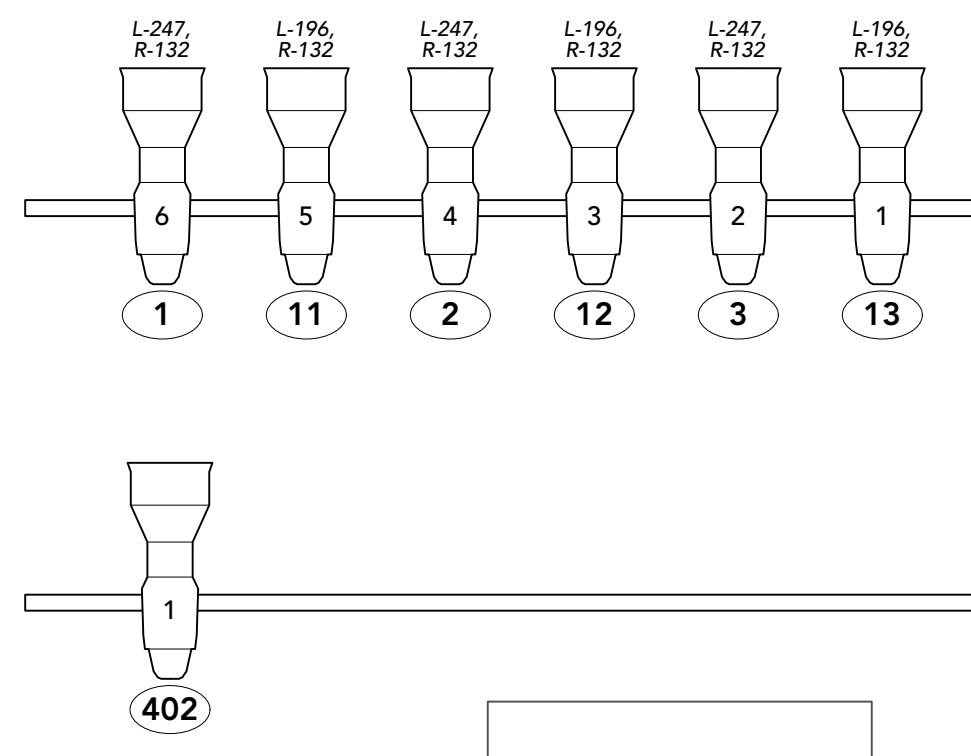
DC ADD

DL ADD



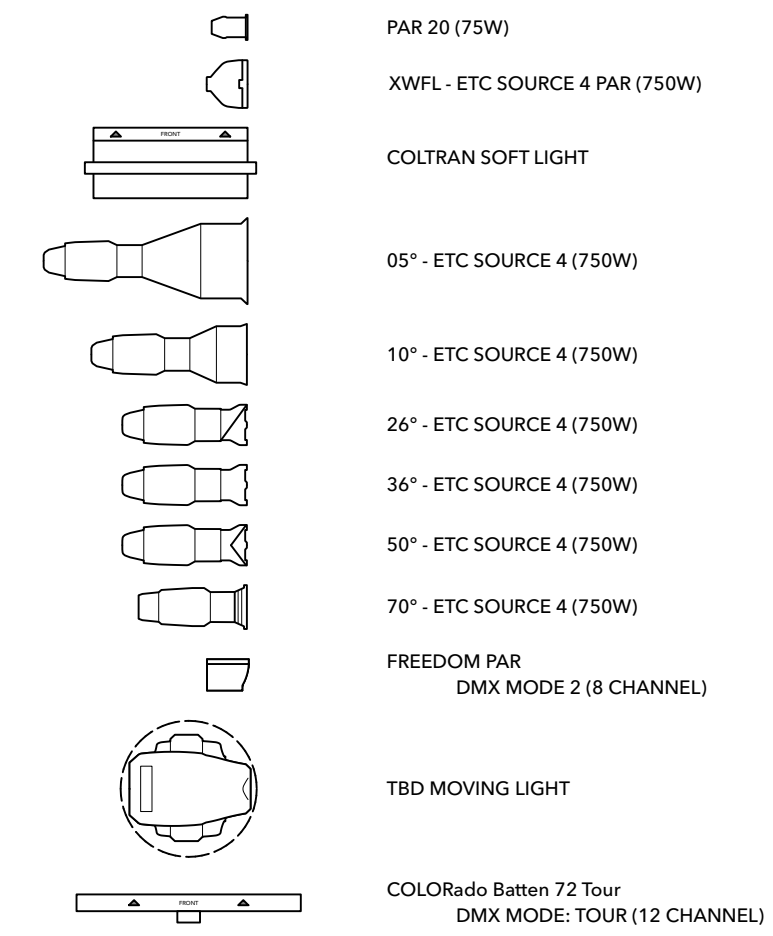
HI HR TOWER

LO HR TOWER

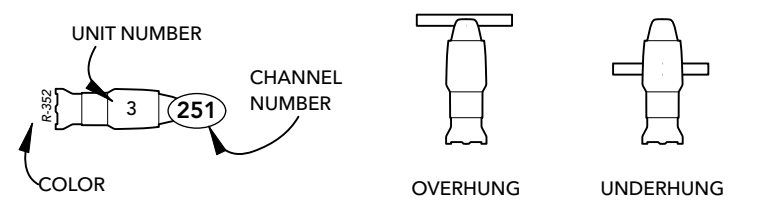


SPOTLIGHT NOTE
Please place spotlights in the HL and HR towers where they are traditionally placed.

LABEL LEGEND



TYPICAL LABEL



NOTES

- PLEASE HAVE SPARE CUTS OF R-132, R-119, AND BLACK WRAP ON HAND AT FOCUS.
- PLEASE HAVE COLOR DROPPED FOR FOCUS.
- MOVING LIGHT SCREEN TO UPSTAGE WHEN POSSIBLE.

THE SECRET GARDEN
Kirkpatrick, Kirkpatrick & O'Farrell

Park Playhouse
Washington Park, Albany NY



CREATIVE TEAM

Director	CHUCK KRAUS
Scenic Designer	MARC CHRISTOPHER
Costume Designer	Gina Kowalski
Lighting Designer	Paul Jonathan Davis
Artistic Director	Owen Smith

Designer Contact

Paul Jonathan Davis
paul.jon.davis@gmail.com (831) 601-9984

Master Electrician

Abigail Rose roseart2017@gmail.com

REVISION HISTORY

PRELIMINARY PLOT	07/10/2023 (12PM)
FINAL PLOT	07/19/2023 (5PM)
REVISION A	
REVISION B	

LIGHT PLOT

OVERHEAD UNITS

1/2" = 1'	Plate	1 of 4
Date 07/19/2023		
SIZE: ARCH D		